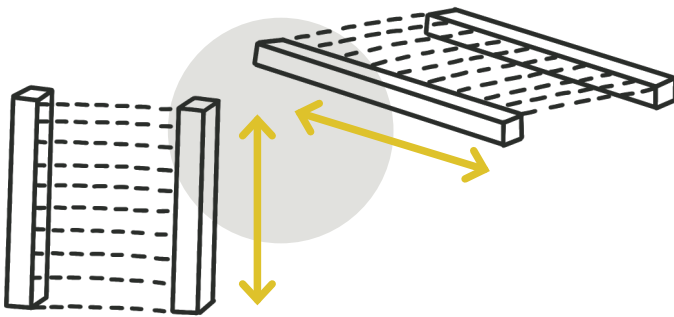


Sundiy mechanism assembly

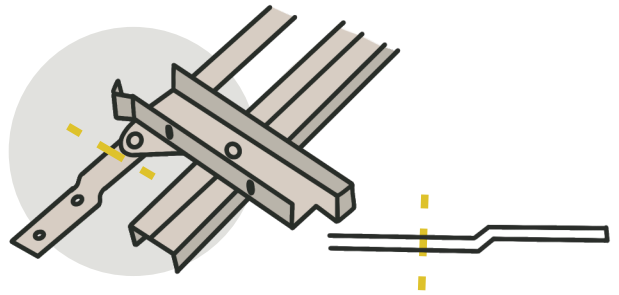
1

Build a vertical structure (windbreak) or horizontal structure (pergola), or renovate an existing one.



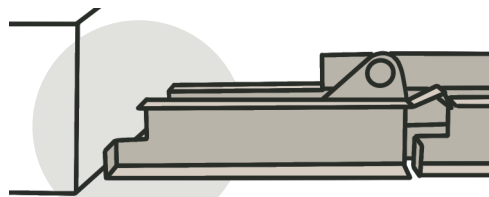
2

Cut off the end (slightly bent side) of the first mechanism using a grinder or hacksaw.



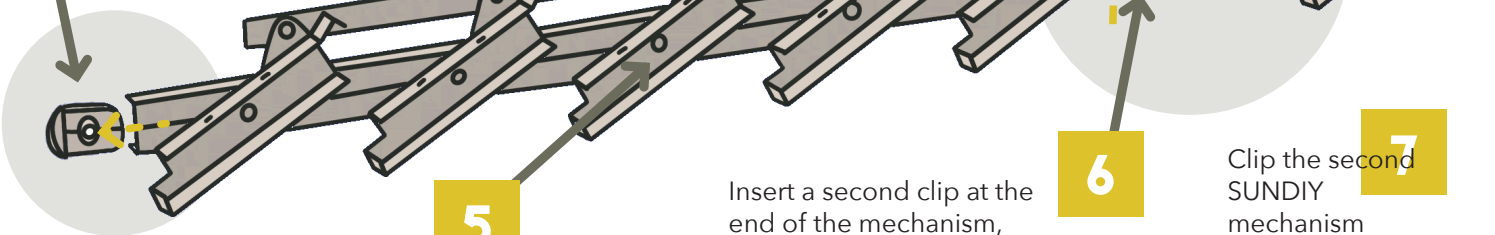
4

Clip and slide the SUNDIY mechanism onto the starting stop.



3

Using a D5 STAINLESS STEEL screw, secure the starting stop (e.g. against a wall).



5

Insert a clip in the middle of the mechanism.

Insert a second clip at the end of the mechanism, leaving it protruding by half. Secure with a D5 stainless steel screw.

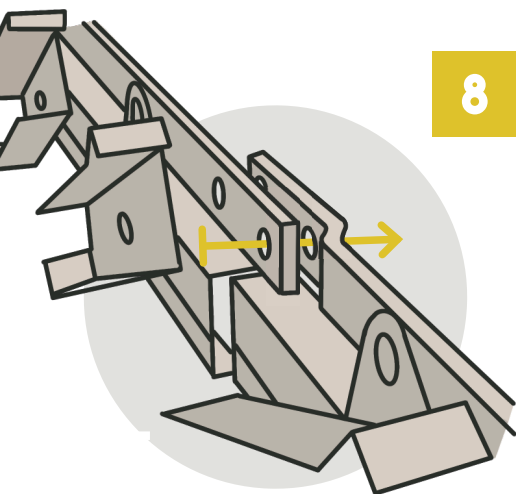
6

Clip the second SUNDIY mechanism onto the protruding clip half.

7

8

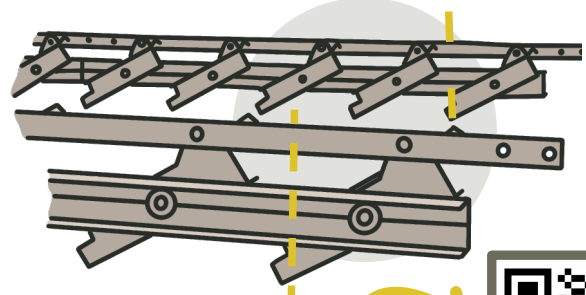
Hold the blade holders in the closed position before joining the two mechanisms with rivets (or bolts), taking care to position the completely straight part in front of the slightly bent part.



9

Continue to the end of the span, finishing with a finishing piece. Repeat in symmetry.

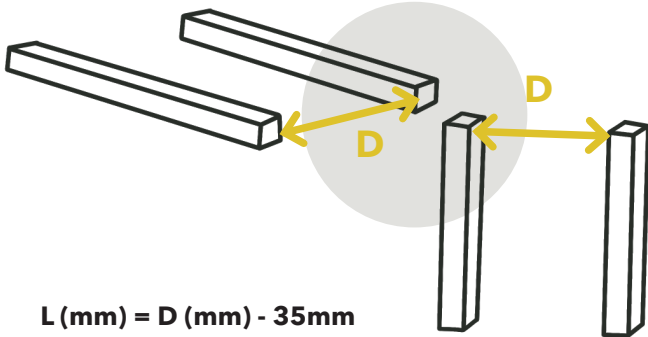
Note: it may be necessary to cut the mechanism at the end of the span, the off-cut being reused as the starting point for the next span.



Installation of the blades (wood or aluMinium)

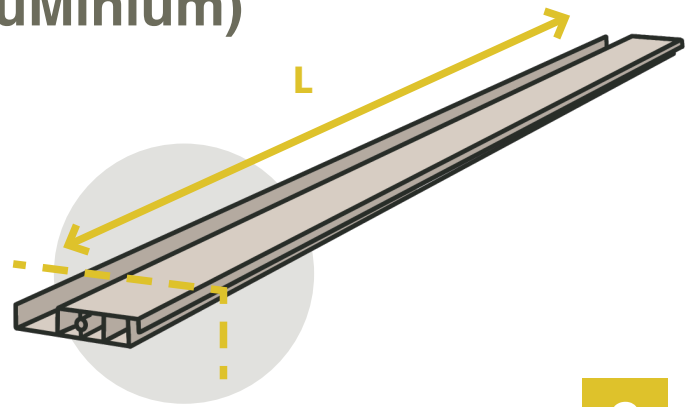
1

Measure the space between the two supports (beams, joists, etc.), then subtract 35 mm; this allows the boards to be inserted with 5 mm clearance for expansion.



$$L \text{ (mm)} = D \text{ (mm)} - 35\text{mm}$$

L

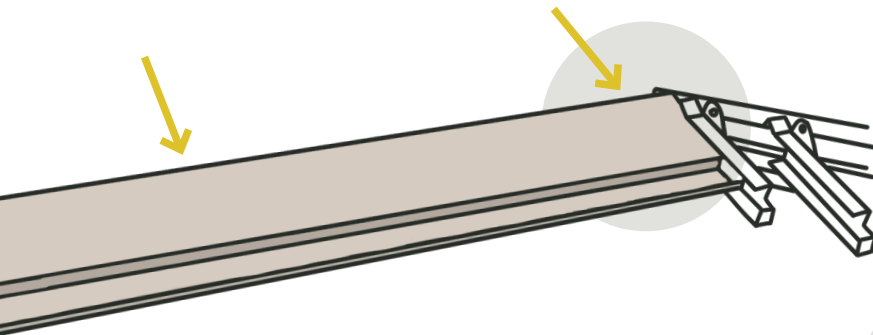


2

Cut this first blade to dimension L measured in step 1.
For aluminum: cut with a fine multi-toothed blade.
Remember to wear goggles and gloves.

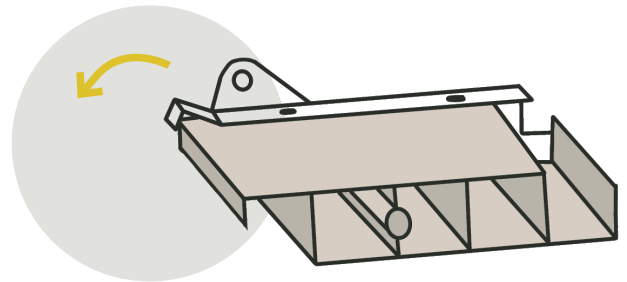
4

Close the curved stops on each blade holder, either by hand or with flat-nose pliers. To avoid damaging the paint, place a cloth or piece of paper between the blade and the pliers.



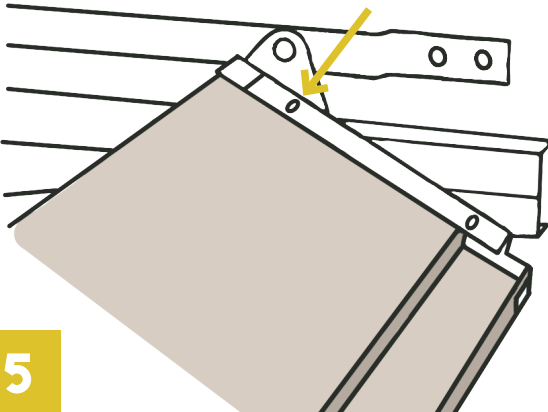
Insert the first blade, checking for the 5mm gap by moving it sideways.

3

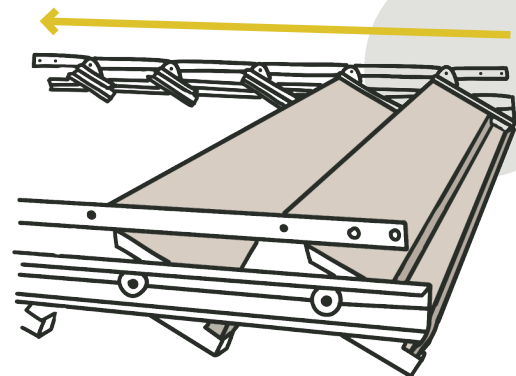


For wooden slats: **MANDATORY** fastening. Add a screw on each side of the slat.
For aluminum slats: **RECOMMENDED** for windy regions. Add a screw on either side of the slat, but do not overtighten, to allow for expansion in summer.

5



If everything looks OK, repeat the operation to install all the boards.



6

Tip: repeat the measurements regularly and adjust the length of the blades if the structure is not perfectly parallel.

